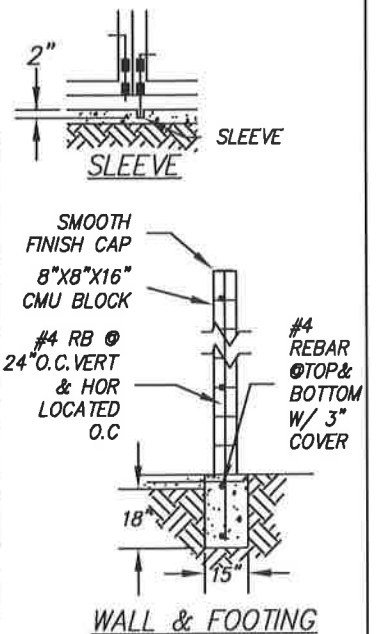
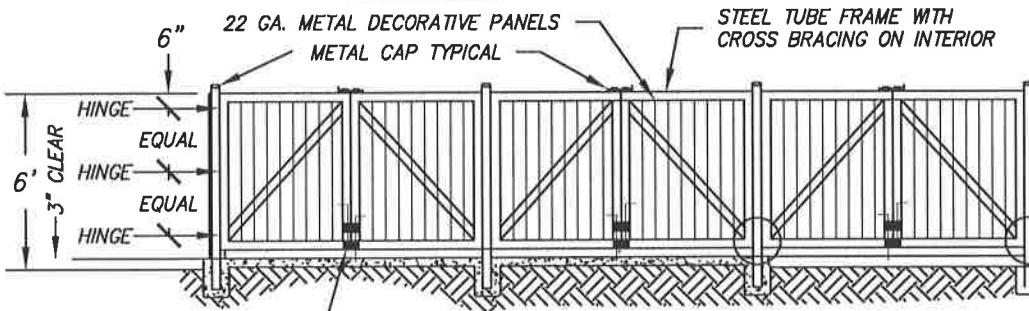


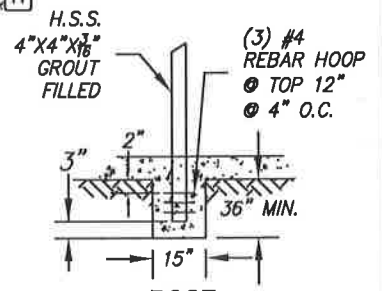
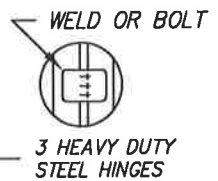
PLAN VIEW



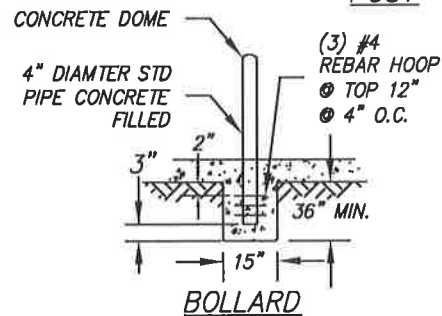
WALL & FOOTING



ELEVATION



POST



BOLLARD

NOTE:

1. GREASE/TALLOW BIN ENCLOSURE MAY BE ATTACHED TO THE TRASH ENCLOSURE OR BE CONSTRUCTED SEPARATELY. THE GREASE/TALLOW BIN SHALL NOT BE LOCATED WITHIN THE TRASH/RECYCLING ENCLOSURE.
2. ENCLOSURE SHALL BE ORIENTED AND MAINTAINED TO BE UNOBSTRUCTED 26' VERTICALLY AND DIRECTLY (STRAIGHT) ACCESSIBLE BY A VEHICLE 45' IN LENGTH.
3. GATES MUST HAVE 90° OPERATION AND BE EQUIPPED TO BE HELD IN THE OPEN POSITION WITH PINS.
4. WALL COLOR AND TEXTURE SHALL BE APPROVED BY THE CITY.
5. ALL METAL TO RECEIVE ONE COAT CHROMATE PRIMER AND TWO COATS OF MEDIUM ALKYD PAINT.
6. IF PROPERTY SPACE CONDITIONS PREVENT CONSTRUCTION OF A SINGLE 10'X20' ENCLOSURE, THE OWNER MAY CONSTRUCT TWO 10'X10' ENCLOSURES.
7. MINIMUM CONCRETE FOOTING STRENGTH SHALL BE 2,500 PSI @ 28 DAYS.
8. #4 REBAR SHALL BE A MINIMUM OF GRADE 40 KSI.
9. ALL CMU BLOCKS SHALL ADHERE TO ASTM C90 AND SOLID GROUTED.
10. GROUT STRENGTH FOR CMU BLOCKS SHALL BE 1,900 PSI.
11. HSS GATE POSTS SHALL BE GRADE 46 KSI MINIMUM.
12. ALTERNATIVE DESIGNS SHALL REQUIRE CITY APPROVAL.
13. THE ORGANICS ENCLOSURE MAY BE CONSTRUCTED IN COMBINATION OR SEPARATE FROM THE TRASH & RECYCLING.

CITY OF FOLSOM

TRASH, RECYCLING,
& ORGANICS ENCLOSURE

SCALE: NONE
DATE: APRIL 2021

RD-24